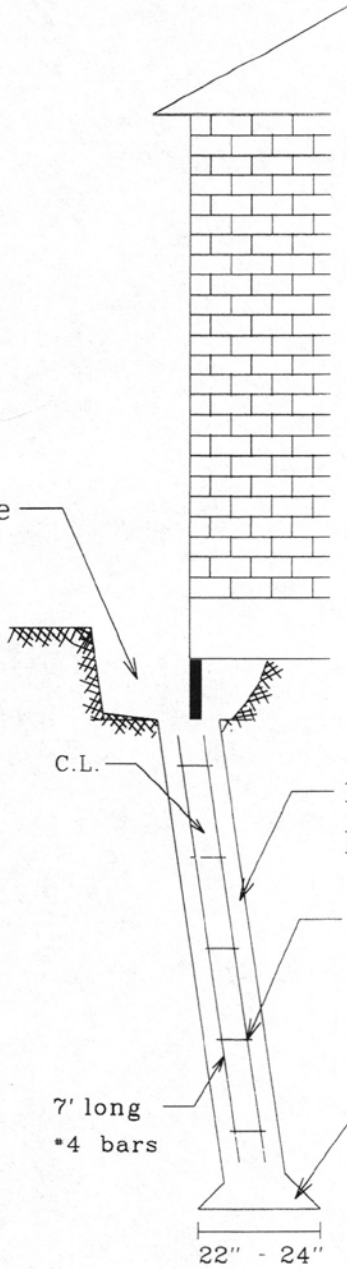


Drilled Shaft Pier Detail

Minimum 2500 psi concrete
Grade 60 Steel
Allow a minimum of 4 days for curing
#4 Vertical rebar (1/2") - 6' to 7' long
#3 Stirrups (3/8")
Concrete must pass a 6" Slump test
Concrete must be vibrated
Lift rebar from bottom as shown on layout
All water in holes must be pumped out

If water table issues are encountered, use lime to absorb the moisture in bottom of holes

Concrete Cap



C.L.

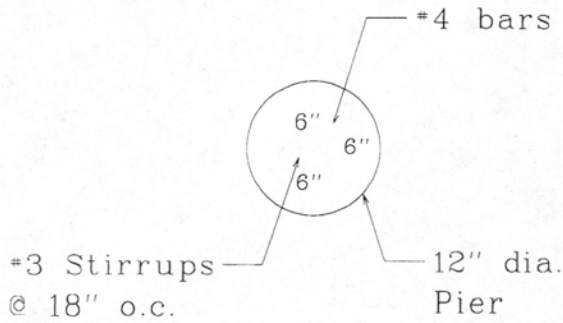
12" dia.
pier

3#4 bars
w/ #3 stirrups
at 18" o.c.

7' long
#4 bars

24" dia.
Bell

22" - 24"



#4 bars

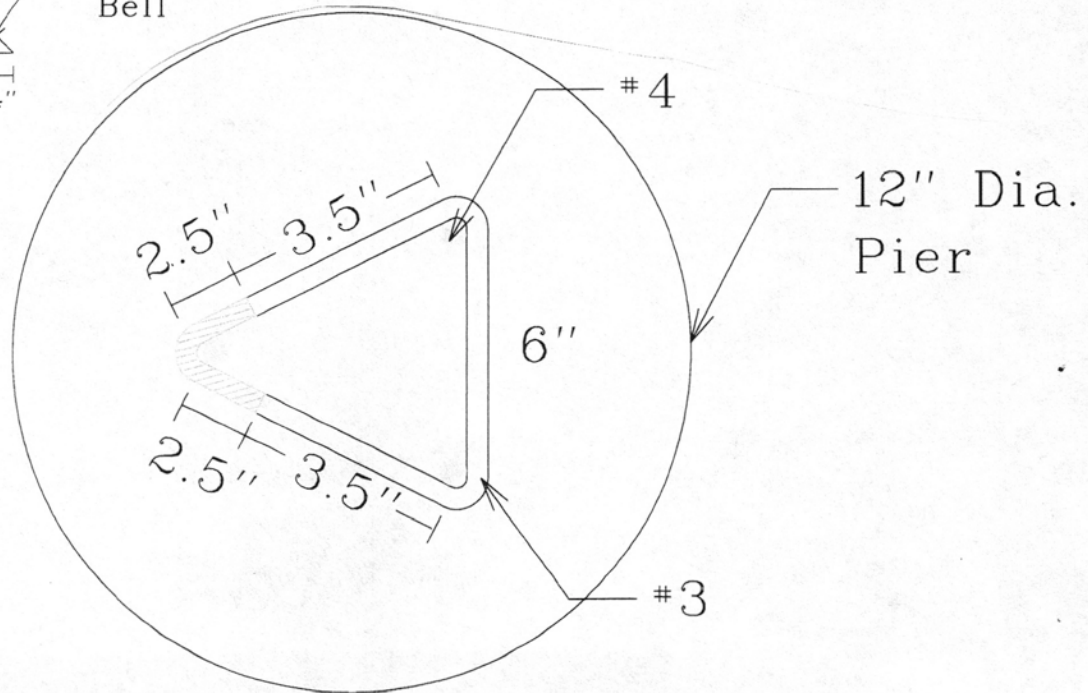
6"

6"

6"

#3 Stirrups
@ 18" o.c.

12" dia.
Pier



#4

12" Dia.
Pier

6"

#3